



FX Spray

Filter all Fluoropolymer Cartridge and Housing System

- * 0.1 micron rated PTFE membrane
- * All PFA hardware
- * Fluoropolymer encapsulated seals
- * 1" Tri-clover housing connections
- * Ultrapure construction
- * 18megaohm rinsed with ultrapure water for electronics applications option is available (R suffix)

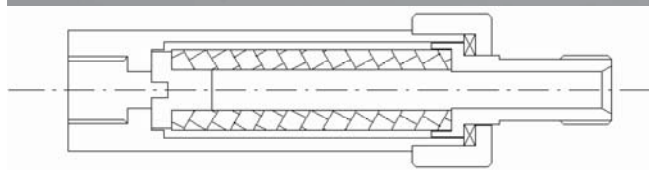
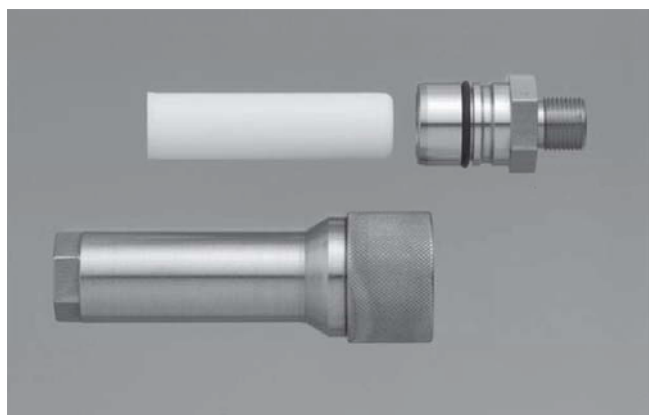


Filter Fx Spray Filter System

Envirogen rigid media is also available in small diameter, mini configurations to deliver low flow, last change filtration solutions.

- * For use in spray guns and for last change, point-of-use filtration at low flow rates
- * Applications in paint, ink, chemical, plating, food and water treatment industries

Fx Spray Screw Closure Housing



Housing	Fx Spray
Dimension A mm (in)	137 (5.39")
Dimension B mm (in)	28 (1.10")
Weight kg (lbs)	0.6 (1.32)
Body Material	304 S/Stl
Sealing Material	Perfluoro polyether
Nozzle Inlet	Rc 3/8" Female
Nozzle Outlet	G 3/8" Male

Typical Applications:

- * Paints
- * Coatings
- * Optical Market Resins
- * Spray
- * Chemical



Cartridge Ordering Guide

Cartridge Code	Nominal Micron Rating	Inside Diameter mm (in)	Outsider Diameter mm (in)	Length mm (in)
FX Cartridge	05 (05)	10 (0.39")	20 (0.79")	74 (2.91")
	10 (10)			
	25 (25)			
	50 (50)			
	75 (75)			
	100 (100)			
	150 (150)			
	185 (185)			

105_02_EN



UK Office:

Envirogen Group
Unit 14a Bromyard Road
Trading Estate
Bromyard Road, Ledbury
Herefordshire HR8 1NS
Tel: +44 (0) 1531 636328
E: info@envirogen.com
www.envirogen.com



Italian Office:

Envirogen Group Italy S.p.A
Viale De GASPERI,88/B
20017 Mazzo di Rho Milan
Tel: +39 (0)2 93959.1
E: info.it@envirogen.com
www.envirogen.com



USA Office:

Envirogen Technologies
Two Kingwood Place
700 Rockmad Dr. Suite 105
Kingwood, TX 7739
Tel: +1 877.312.8950
E: info@envirogen.com
www.envirogen.com